

# N4979A Rack Mount Kit (for N4962A or N4963A)

Installation Note

NOTICE: This document contains references to Agilent Technologies. Agilent's former Test and Measurement business has become Keysight Technologies. For more information, go to [www.keysight.com](http://www.keysight.com).



# Notices

## Copyright Notice

© Keysight Technologies 2015

No part of this manual may be reproduced in any form or by any means (including electronic storage and retrieval or translation into a foreign language) without prior agreement and written consent from Keysight Technologies, Inc. as governed by United States and international copyright laws.

## Manual Part Number

N4979-80001

## Edition

Edition 2.0, June 2015

## Printed in:

Printed in Malaysia

## Published by:

Keysight Technologies  
Deutschland GmbH,  
Herrenberger Str. 130,  
71034 Böblingen, Germany

## Technology Licenses

The hardware and/or software described in this document are furnished under a license and may be used or copied only in accordance with the terms of such license.

## U.S. Government Rights

The Software is “commercial computer software,” as defined by Federal Acquisition Regulation (“FAR”) 2.101. Pursuant to FAR 12.212 and 27.405-3 and Department of Defense FAR Supplement (“DFARS”) 227.7202, the U.S. government acquires commercial computer software under the same terms by which the software is customarily provided to the public. Accordingly, Keysight provides the Software to U.S. government customers under its standard commercial license, which is embodied in its End User License Agreement (EULA), a copy of which can be found at <http://www.keysight.com/find/sweula>. The license set forth in the EULA represents the exclusive authority by which the U.S. government may use, modify, distribute, or disclose the Software. The EULA and the license set forth therein, does not require or permit, among other things, that Keysight: (1) Furnish technical information related to commercial computer software or commercial computer software documentation that is not customarily provided to the public; or (2) Relinquish to, or otherwise provide, the government rights in excess of these rights customarily provided to the public to use, modify, reproduce, release, perform, display, or disclose commercial computer software or commercial computer software documentation. No additional government requirements beyond those set forth in the EULA shall apply, except to the extent that those terms, rights, or licenses are explicitly required from all providers of commercial computer software pursuant to the FAR and the DFARS and are set forth specifically in writing elsewhere in the EULA. Keysight shall be under no obligation to update, revise or otherwise modify the Software. With respect to any technical data as defined by FAR 2.101, pursuant to FAR 12.211 and 27.404.2 and DFARS 227.7102, the U.S. government acquires no greater than Limited Rights as defined in FAR 27.401 or DFARS 227.7103-5 (c), as applicable in any technical data.

## Warranty

THE MATERIAL CONTAINED IN THIS DOCUMENT IS PROVIDED “AS IS,” AND IS SUBJECT TO BEING CHANGED, WITHOUT NOTICE, IN FUTURE EDITIONS. FURTHER, TO THE MAXIMUM EXTENT PERMITTED BY APPLICABLE LAW, KEYSIGHT DISCLAIMS ALL WARRANTIES, EITHER EXPRESS OR IMPLIED, WITH REGARD TO THIS MANUAL AND ANY INFORMATION CONTAINED HEREIN, INCLUDING BUT NOT LIMITED TO THE IMPLIED WARRANTIES OF MERCHANTABILITY AND FITNESS FOR A PARTICULAR PURPOSE. KEYSIGHT SHALL NOT BE LIABLE FOR ERRORS OR FOR INCIDENTAL OR CONSEQUENTIAL DAMAGES IN CONNECTION WITH THE FURNISHING, USE, OR PERFORMANCE OF THIS DOCUMENT OR OF ANY INFORMATION CONTAINED HEREIN. SHOULD KEYSIGHT AND THE USER HAVE A SEPARATE WRITTEN AGREEMENT WITH WARRANTY TERMS COVERING THE MATERIAL IN THIS DOCUMENT THAT CONFLICT WITH THESE TERMS, THE WARRANTY TERMS IN THE SEPARATE AGREEMENT SHALL CONTROL.

## Safety Information

### CAUTION

A CAUTION notice denotes a hazard. It calls attention to an operating procedure, practice, or the like that, if not correctly performed or adhered to, could result in damage to the product or loss of important data. Do not proceed beyond a CAUTION notice until the indicated conditions are fully understood and met.

### WARNING

A WARNING notice denotes a hazard. It calls attention to an operating procedure, practice, or the like that, if not correctly performed or adhered to, could result in personal injury or death. Do not proceed beyond a WARNING notice until the indicated conditions are fully understood and met.



## Contents

|   |   |                                 |
|---|---|---------------------------------|
| 1 | <b>N4979A Rack Mount Kit Installation</b> |                                 |
|   | 1.1                                       | Overview 7                      |
|   | 1.2                                       | Installation Kit Parts List 7   |
|   | 1.3                                       | Typical Safety Considerations 8 |
|   | 1.4                                       | Contacting Keysight 8           |
|   | 1.5                                       | Installation Procedure 9        |



# 1 N4979A Rack Mount Kit Installation

[1.1 Overview / 7](#)

[1.2 Installation Kit Parts List / 7](#)

[1.3 Typical Safety Considerations / 8](#)

[1.4 Contacting Keysight / 8](#)

[1.5 Installation Procedure / 9](#)

## 1.1 Overview

This installation kit allows the N4962A or N4963A to be rack mounted.

## 1.2 Installation Kit Parts List

**Table 1: Installation kit parts list**

| Quantity | Description               | Part Number |
|----------|---------------------------|-------------|
| 1        | Installation note         | N4979-80001 |
| 1        | Rack mount kit            | N4979A      |
| 4        | 4-40 X 3/8 inch cap screw | 3030-0221   |

## 1.3 Typical Safety Considerations



Before you begin the installation, turn the power switch off and unplug the power cord. Failure to unplug the instrument can result in personal injury.

---



Electrostatic discharge (ESD) can damage or destroy electronic components. All work on electronic assemblies should be performed at a static-safe workstation.

---

## 1.4 Contacting Keysight

Assistance with test and measurement needs and information on finding a local Keysight office is available on the Web at:

<http://www.keysight.com/find/assist>

If you do not have access to the Internet, please contact your Keysight field engineer.

### **NOTE**

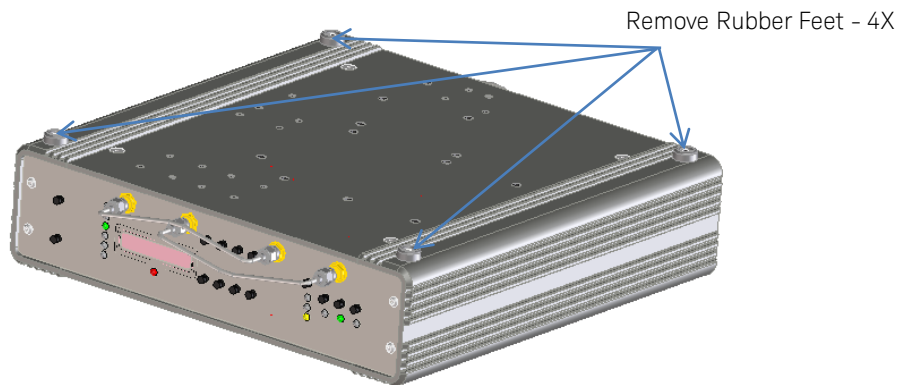
In any correspondence or telephone conversation, refer to the Keysight product by its model number and full serial number. With this information, the Keysight representative can determine whether your product is still within its warranty period.

---



## 1.5 Installation Procedure

1. Use a table top that is static safe and padded so that the coating of the top of the instrument is not scratched. Turn the unit upside-down on the padded table top.
2. Remove the four feet from the instrument using a 1/16" Allen wrench. Be careful to keep the instrument securely on the table. Refer to [Figure 1](#). These four threaded holes will be used to secure the instrument to the rack mount kit.



**Figure 1: Remove feet**

3. Slide the instrument into the rack mount as shown in [Figure 2](#). Ensure that the front panel of the instrument protrudes from the front of the rack mount kit and that the four holes in the bottom of the rack mount kit align with the four holes in the instrument (where rubber feet were removed).

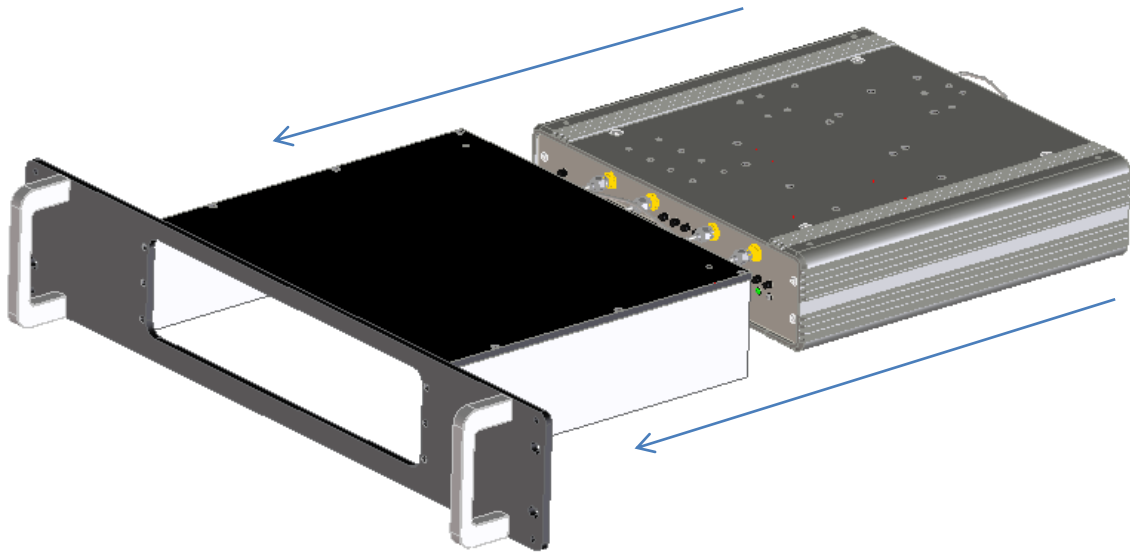


Figure 2: Slide instrument into rack mount kit

4. Looking down from over the assembly, position the rack mount kit until you can see the mounting holes for the instrument feet through the four holes in the bottom plate of the rack mount as shown in [Figure 3](#) then secure with four screws.

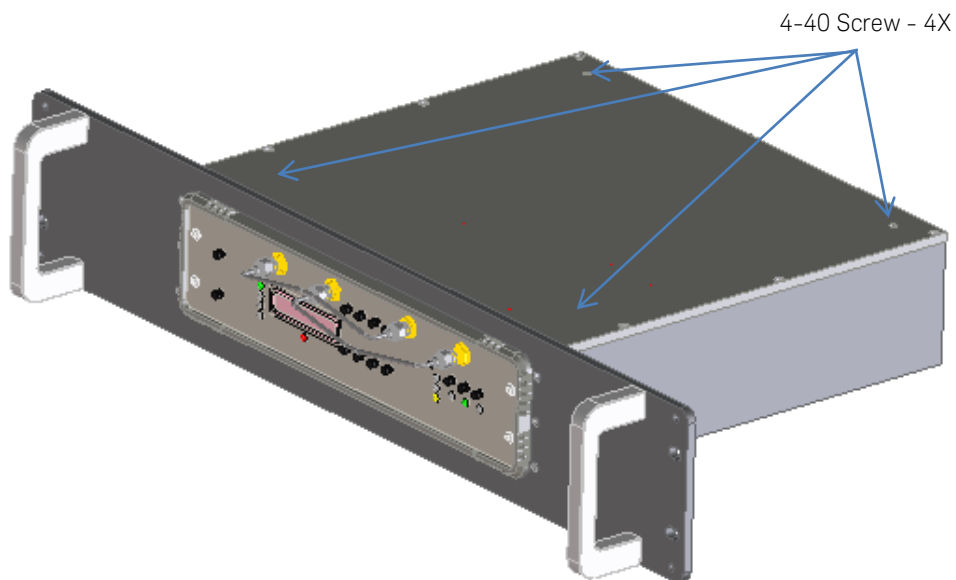


Figure 3: Secure instrument to rack mount kit



This information is subject to change without notice.  
© Keysight Technologies 2015  
Edition 2.0 June 2015  
Printed in Malaysia



N4979-80001

[www.keysight.com](http://www.keysight.com)